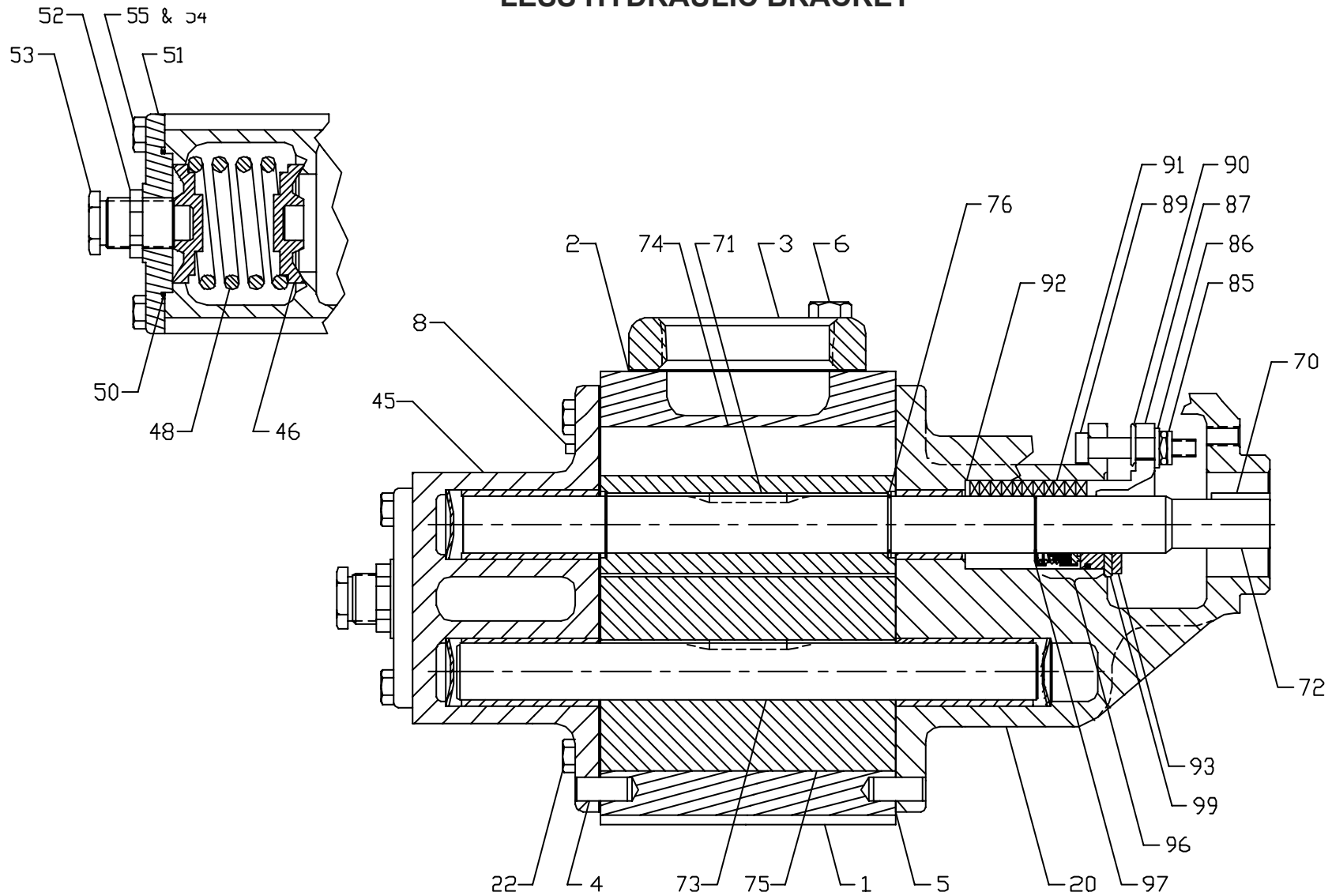


ROPER 3632 Thru 3748 BH,F,RV PUMP FOR HYDRAULIC DRIVE LESS HYDRAULIC BRACKET



3632, 3643, 3648 BHF, RV
3732, 3743, 3748 BHF, RV

3632 THRU 3748 BHF, RV Hydraulic Driven Pump

KEY NO.	DESCRIPTION	3632 & 3732		3643 & 3743		3648 & 3748	
		QTY	PART NO.	QTY	PART NO.	QTY	PART NO.
1	Case	1	N22-223	1	N22-222	1	P1-481
2	Gasket, Flange	2	D11-612	2	D11-90	2	D11-90
3	Flange	2	P23-150	2	P23-10	2	P23-19
4	Dowel Pin	4	G48-49	4	G48-49	4	G48-49
5	Case Gasket	3	D11-397	3	D11-397	3	D11-397
6	Hex Hd Cap Screw	8	G49-062200	8	G49-062200	8	G49-062200
8	Pipe Plug	2	G56-12	2	G56-12	2	G56-12
20	Backplate Assy, Brz Brgs	1	N2-1340	1	N2-1340	1	N2-1040
22	Hex Hd Cap Screw, Plain	16	G49-050150	16	G49-050150	16	G49-050150
	Hex Hd Cap Screw, RV	14	G49-050150	14	G49-050150	14	G49-050150
45	Faceplate Assy, Plain, Brz Brgs	1	N3-477	1	N3-477	1	N3-477
	Faceplate Assy, RV, Brz Brgs	1	N3-405	1	N3-405	1	N3-405
46	Poppet	1	D16-112	1	D16-112	1	D16-112
48	Spring, Std Press	1	G10-383	1	G10-383	1	G10-383
	Spring, High Press	1	G10-386	1	G10-386	1	G10-386
50	"O" Ring, RV Cap	1	G14-485	1	G14-485	1	G14-485
51	RV Cap	1	P14-44	1	P14-44	1	P14-44
52	Nut, Lock & Seal	1	G33-6	1	G33-6	1	G33-6
53	Adjusting Screw	1	D15-42	1	D15-42	1	D15-42
54	Nut	1	G44-050	1	G44-050	1	G44-050
55	Hex Hd Cap Screw, RV	2	G49-050600	2	G49-050600	2	G49-050600
70	Key, Drive	1	D30-216	1	D30-216	1	D30-216
71	Key, Gear	2	D30-10	2	D30-10	2	D30-10
72	Drive Shaft	1	D1-2690	1	D1-2691	1	D1-2435
73	Idler Shaft	1	D1-2686	1	D1-2676	1	D1-2087
74	Gear, RH	1	P6-478	1	P6-479	1	P6-385
75	Gear, LH	1	D6-1264	1	D6-1265	1	P6-383
76	Ret Ring	2	G41-119	2	G41-119	2	G41-119
85	Locknut	2	G43-12	2	G43-12	2	G43-12
86	Pkg Gland Clip	2	D42-4	2	D42-4	2	D42-4
87	Pkg Gland	1	P10-179	1	P10-179	1	P10-179
89	Sq Hd Bolt, Pkg	2	G67-050300	2	G67-050300	2	G67-050300
	Sq Hd Bolt, Mech Seal	2	G67-050125	2	G67-050125	2	G67-050125
90	Spring Clip	1	D42-3	1	D42-3	1	D42-3
91	Pkg Set	1	N43-3	1	N43-3	1	N43-3
92	Pkg Washer	1	G8-249	1	G8-249	1	G8-249
93	Seal Retainer	1	D23-267	1	D23-267	1	D23-267
96	Mech Seal, Complete	1	G4-112	1	G4-112	1	G4-112
97	Ret Ring	1	G41-155	1	G41-155	1	G41-155
99	Seal Locator Ring	1	D8-444	1	D8-444	1	D8-444

Backplate Assy includes Brz Brgs: (1) G5-264 and (1) G5-265

Faceplate Assy includes Brz Brgs: (2) G5-265

Hydraulic Adapter Bracket - Complete --	SAE B 4 Bolt; 1.25" Shaft	N47-62
Iron Bracket Only --	SAE B 4 Bolt	P22-164-18
Shaft Coupling Only --	For 1.25" Motor Shaft	D31-193
Retaining Ring Only --	For Shaft Coupling	G41-118
Soc Hd. Capscrew Only (4 Req) --	Bracket Mounting	G45-050350

With bracket assembly on pump, pump model becomes MBH-----